

## Grua de Rastos

### *Crawler Crane*

Marca e Modelo / Make and Model

### P&H 670WLC



#### Características técnicas

**Tipo:** Grua hidráulica com rastos extensíveis

**Capacidade máxima:** 70 ton

**Tipo de lança:** Treliçada

**Peso operacional:** 58 000 kg (com lança de 24 m)

**Capacidade com lança de 24 m e rastos estendidos (360°)**

Raio da carga (m)	6	12	18	24
Capacidade (kg)	33 700	12 100	6950	4600

Diagrama de carga completo disponível na pasta técnica do equipamento.

#### Aplicações

Elevação de cargas, baldes de arrasto (dragline), baldes de dragagem, baldes de mandíbulas.

## Grua de Rastos

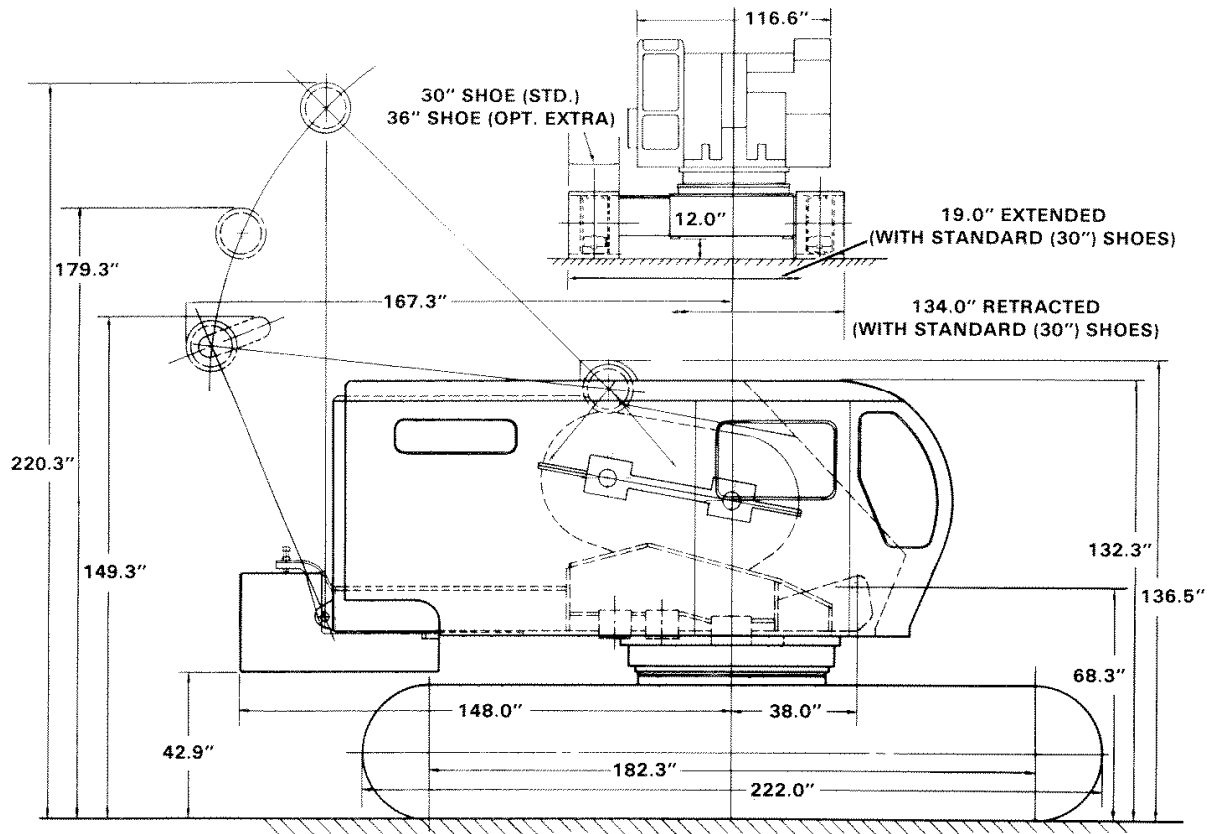
### *Crawler Crane*

Marca e Modelo / Make and Model

**P&H 670WLC**

### Dimensões gerais

(estas medidas estão em pés / convém converter para sistema métrico)

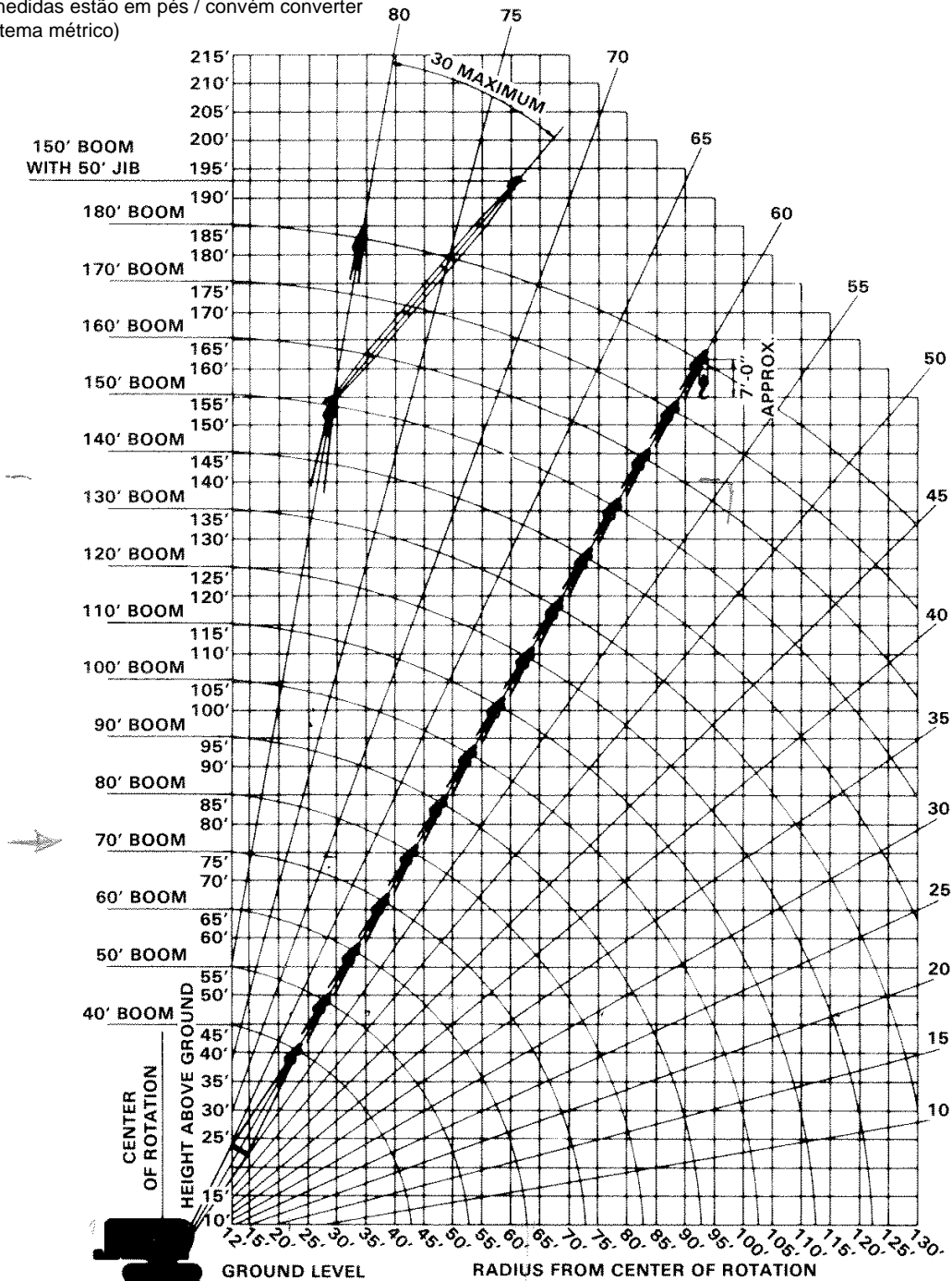


**Grua de Rastos**  
**Crawler Crane**

Marca e Modelo / Make and Model  
**P&H 670WLC**

**Diagrama de Alcance**

(estas medidas estão em pés / convém converter para sistema métrico)



**Grua de Rastos**  
**Crawler Crane**

Marca e Modelo / Make and Model

**P&H 670WLC**

**Diagrama de Cargas**

(estas medidas estão em pés / convém converter para sistema métrico)

**PCSA CLASS 12-271**

**1 rated crane loads in pounds — main boom (50" w. x 50" d.) in . . . . .**

Oper. Rad. Ft.	Angle	40 Ft. Boom		50 Ft. Boom		60 Ft. Boom		70 Ft. Boom		80 Ft. Boom		90 Ft. Boom		100 Ft. Boom		110 Ft. Boom		
		Boom Pt. El.	Rating Lbs.	Boom Pt. El.	Rating Lbs.	Boom Pt. El.	Rating Lbs.	Boom Pt. El.	Rating Lbs.	Boom Pt. El.	Rating Lbs.	Boom Pt. El.	Rating Lbs.	Boom Pt. El.	Rating Lbs.	Boom Pt. El.	Rating Lbs.	
12	78	46.4	140,000															
15	74	45.6	108,000	77	55.9	105,700												
20	66	43.8	74,300	71	54.6	74,300	74	65.0	74,300	77	75.3	74,300	78	85.5	74,200			
25	58	41.2	52,500	65	52.6	52,500	69	63.4	52,400	72	74.0	52,400	75	84.4	52,200	76	94.7	
30	48	37.4	40,300	58	48.9	40,300	64	61.3	40,200	68	72.2	40,100	71	82.9	40,000	73	93.4	
35	38	32.0	32,600	51	46.3	32,500	58	58.5	32,400	64	69.8	32,300	67	80.9	32,100	70	91.7	
40	24	23.3	27,200	43	41.6	27,100	53	55.1	27,000	59	67.2	26,900	63	78.6	26,700	66	88.7	
45				34	35.1	23,200	47	50.8	23,000	54	63.8	22,900	58	75.9	22,700	63	87.3	
50				21	25.2	20,200	38	45.3	20,000	48	58.8	19,800	55	72.6	19,600	59	84.5	
60							18	28.8	15,700	36	48.6	15,500	45	64.1	15,300	51	77.5	
70								16	24.4	12,600	34	51.7	12,300	43	68.0	12,100	48	82.1
80											17	28.9	10,200	32	54.6	10,000	40	71.8
90													16	31.2	8,400	30	57.3	
100														15	32.5	6,950	29	58.9
110																14	33.6	
120																		

**WARNING:**  
WHEN BOOM IS EQUIPPED WITH JIB, MAIN HOOK RATING MUST BE REDUCED TO COMPENSATE FOR JIB ATTACHMENT WEIGHT.  
Jib Length                    20 Ft.                    30 Ft.                    40 Ft.                    50 Ft.  
Deduct — Lbs.                    1,500                    1,500                    2,000                    2,500

**WARNING:** Welding or other repair to tubular steel booms may weaken the structure. See your P & H dealer for authorized boom repair service. Unauthorized repair will void all warranties.

**2 rated crane loads in pounds — main boom (50" w. x 50" d.) in . . . . .**

Oper. Rad. Ft.	Angle	40 Ft. Boom		50 Ft. Boom		60 Ft. Boom		70 Ft. Boom		80 Ft. Boom		90 Ft. Boom		100 Ft. Boom		110 Ft. Boom		120 Ft. Boom		130 Ft. Boom	
		Boom Pt. El.	Rating Lbs.	Boom Pt. El.	Rating Lbs.	Boom Pt. El.	Rating Lbs.	Boom Pt. El.	Rating Lbs.	Boom Pt. El.	Rating Lbs.	Boom Pt. El.	Rating Lbs.	Boom Pt. El.	Rating Lbs.	Boom Pt. El.	Rating Lbs.	Boom Pt. El.	Rating Lbs.	Boom Pt. El.	Rating Lbs.
12	78		96,000																		
15	74		68,700	77	88,700																
20	66		45,400	71	45,400	74	45,300	77	45,200	78	45,000										
25	58		33,600	65	33,800	69	33,400	72	33,300	75	33,100	76	32,900	78	32,800	79	32,600				
30	48		26,400	58	26,400	64	26,200	68	26,100	71	25,900	73	25,700	76	25,500	78	25,400	77	25,100	78	25,000
35	38		21,700	51	21,800	58	21,400	64	21,300	67	21,100	70	20,900	72	20,700	74	20,500	75	20,300	78	20,200
40	24		18,200	43	18,100	53	18,000	58	17,800	63	17,600	66	17,400	69	17,200	71	17,000	72	16,800	74	16,700
45				34	15,800	47	15,400	54	15,200	59	15,000	63	14,800	66	14,600	68	14,400	70	14,200	72	14,100
50				21	13,600	38	13,400	49	13,200	55	13,000	63	12,700	68	12,500	71	12,400	73	12,200	75	12,100
60						18	10,500	36	10,300	45	10,000	51	9,800	56	9,650	59	9,450	62	9,200	64	9,100
70								16	8,300	34	8,000	43	7,750	48	7,600	53	7,400	57	7,150	59	7,050
80										17	6,600	32	6,300	40	6,100	46	5,800	51	5,550	54	5,550
90												18	5,250	30	5,000	38	4,750	44	4,550	48	4,400
100														15	4,150	28	3,900	37	3,650	42	3,500
110															14	3,250	27	2,950	35	2,750	
120																14	2,400	25	2,200		



**Grua de Rastos**  
**Crawler Crane**

Marca e Modelo / Make and Model

**P&H 670WLC**

**Diagrama de Cargas**

(estas medidas estão em pés / convém converter para sistema métrico)

**with 30,000 lbs. counterweight**

**360° work areas with crawlers fully extended**

Oper. Rad. Ft.	120 Ft. Boom			130 Ft. Boom			140 Ft. Boom			150 Ft. Boom			160 Ft. Boom			170 Ft. Boom			180 Ft. Boom			Oper. Rad. Ft.
	Angle	Boom Pt. El.	Rating Lbs.	Angle	Boom Pt. El.	Rating Lbs.	Angle	Boom Pt. El.	Rating Lbs.	Angle	Boom Pt. El.	Rating Lbs.	Angle	Boom Pt. El.	Rating Lbs.	Angle	Boom Pt. El.	Rating Lbs.	Angle	Boom Pt. El.	Rating Lbs.	
12																						12
15																						15
20																						20
25																						25
30	77	124.3	39,300	78	134.5	39,200																30
35	75	123.1	31,400	76	133.4	31,300	77	143.7	31,100	78	153.9	30,900										35
40	72	121.7	26,000	74	132.1	25,800	75	142.5	25,600	76	152.6	25,400	77	163.1	25,400	78	173.3	25,100				40
45	70	120.0	22,000	72	130.6	21,800	73	141.1	21,600	74	151.5	21,400	75	161.9	21,300	76	172.2	21,100	77	182.5	20,900	45
50	67	118.0	18,800	69	128.6	18,600	71	139.4	18,500	72	150.0	18,300	73	160.4	18,200	74	170.9	18,000	75	181.2	17,800	50
60	62	113.3	14,500	64	124.5	14,400	66	135.5	14,100	68	146.4	13,900	69	157.1	13,800	71	167.7	13,600	72	178.3	13,400	60
70	57	107.4	11,500	59	119.2	11,400	62	130.6	11,100	64	141.9	10,900	66	153.0	10,800	67	163.9	10,600	68	174.7	10,400	70
80	51	98.9	9,350	54	112.6	9,200	57	124.7	9,000	59	136.5	8,750	62	148.0	8,650	63	159.3	8,400	65	170.9	8,200	80
90	44	90.6	7,750	48	104.5	7,600	52	117.5	7,350	55	130.0	7,100	57	142.1	7,000	60	153.8	6,750	61	165.3	6,550	90
100	37	78.6	6,500	42	94.5	6,300	47	108.9	6,050	50	122.3	5,800	53	135.1	5,700	56	147.4	5,450	58	169.4	5,250	100
110	27	62.3	5,500	35	81.8	5,300	41	98.2	5,050	45	113.1	4,800	48	128.9	4,650	51	140.0	4,450	54	152.6	4,200	110
120	14	34.9	4,700	26	64.7	4,450	34	84.9	4,200	39	101.8	3,950	43	117.1	3,800	47	131.2	3,600	50	144.7	3,350	120

32R16

WARNING: OPERATION OF THIS EQUIPMENT IN EXCESS OF LOAD RATINGS AND DISREGARD OF INSTRUCTIONS VOIDS THE WARRANTY.

**360° work areas with crawlers fully retracted**

Oper. Rad. Ft.	140 Ft. Boom		150 Ft. Boom		Oper. Rad. Ft.
	Angle	Rating Lbs.	Angle	Rating Lbs.	
12					12
15					15
20					20
25					25
30					30
35	77	20,000	78	19,700	35
40	75	16,500	76	16,300	40
45	73	13,900	74	13,600	45
50	71	11,800	72	11,600	50
60	68	8,850	69	8,650	60
70	62	6,800	64	6,550	70
80	57	5,300	59	5,050	80
90	52	4,150	55	3,900	90
100	47	3,250	50	3,000	100
110	41	2,500	45	2,300	110
120	34	1,950	39	1,700	120

WARNING: When assembling boom inserts, do not cantilever more than 60 ft. of inserts past point of pendant rope attachment to boom. Relocate point of attachment out on boom as additional inserts are added.



**Grua de Rastos**  
**Crawler Crane**

Marca e Modelo / Make and Model  
**P&H 670WLC**

**operating instructions printed below and throughout this brochure are for your safety and will contribute to the long life of your P&H 670-WLC**

Operating radius is the horizontal distance from center-line of rotation to a vertical line through the center of gravity of the load.

Ratings shown are only for combination of P & H manufactured upper, boom, jib, counterweights, carrier and crawler. Boom backstops are required for all boom lengths. Boom inserts must be arranged as shown in the Boom Make-Up Chart. Standard boom hoist reeving is 10 part line. Gantry must be in raised position for all "crawler extended" ratings. When boom is equipped with jib, main hook ratings must be reduced by 1500 lbs. for 20 ft. or 30 ft. jib; 2000 lbs. for 40 ft. jib; 2500 lbs. for 50 ft. jib. Refer to diagrams for applicable working area.

Ratings shown are based on freely suspended loads and make no allowance for such factors as wind effect on lifted loads, ground conditions, out-of-level, operating speeds or any other condition that could be detrimental to the safe operation of this equipment. The operator, therefore, has the responsibility to judge the existing conditions and reduce lifted loads and operating speeds accordingly. Ratings do not exceed 75% of tipping load as determined by SAE J 765. Deduct weight of hook block(s), slings, cement bucket, and all other load handling accessories from main boom or jib rating shown. Ratings shown are based on 30,000 lbs. counterweight.

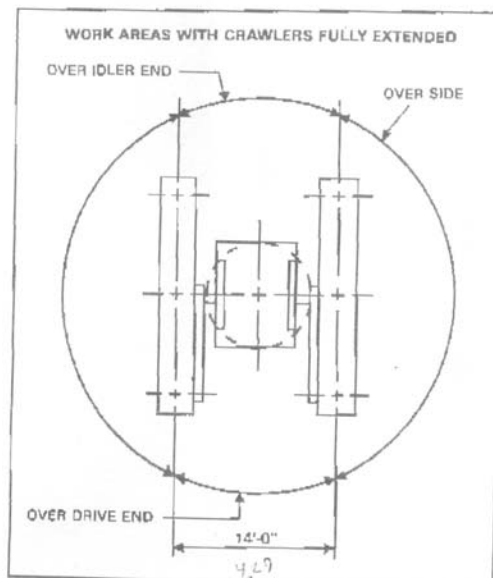
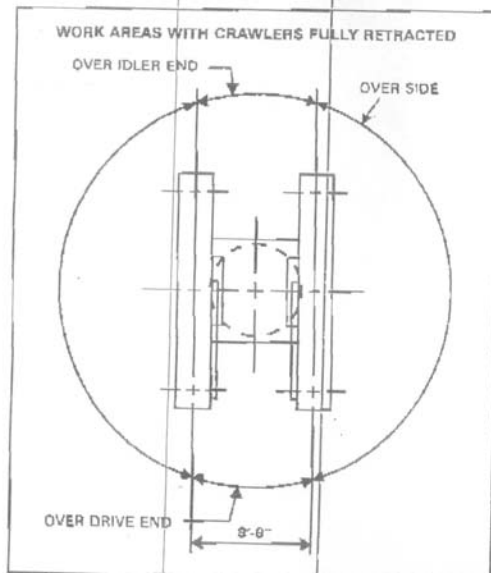
**WARNING:** The wind effect on the lifted load can cause sufficient side load to overstress boom or jib structure. When suspended load will not remain in line with boom, derate chart 25%. We recommend stopping operation when wind is above 30 m.p.h. and tying off or lowering boom when wind is above 50 m.p.h. When continued operation under windy conditions is necessary, consult factory for special derated load rating chart.

P & H type 4 wire rope: 6 x 25 with filler wire, preformed improved plow steel wire rope 7 x 7 I.W.R.C.

P & H type 25 wire rope: 6 x 25 I.W.R.C., preformed extra improved plow steel wire rope (filler wire).

Machine with basic 40 ft. boom length may be traveled with gantry in lowered position.

**WARNING:** When ¾" diameter P & H type 11 wire rope (18 x 7 non-rotating preformed plow steel wire rope fiber core) is used for jib line on rear drum maximum lifted load including hook must not exceed 12,000 lbs. Do not use dead-end swivels with non-rotating wire rope.



**WARNING**

Using this equipment in excess of rated loads, in areas of chart not rated, or with disregard of instructions will result in unsafe operating conditions and is a violation of the U.S. Dept. of Labor Safety and Health Regulations for Construction.