

**Grua hidráulica de rastros****Hydraulic Crawler Crane**

Marca e Modelo / Make and Model

**Liebherr HS 833 HD****Características técnicas:**

<b>Tipo:</b>	Grua hidráulica de rastros
<b>Motor:</b>	Liebherr, tipo D926 TI, 6 cilindros
<b>Potência do motor:</b>	200 kW / 1800 rpm
<b>Capacidade de carga:</b>	35 ton (capacidade máxima a 8 m de comprimento)
<b>Tipo de lança:</b>	Treliçada com 28 m de comprimento + jib de 9 m
<b>Peso operacional:</b>	39 ton

**Aplicação:**

Elevação de cargas, dragagem.

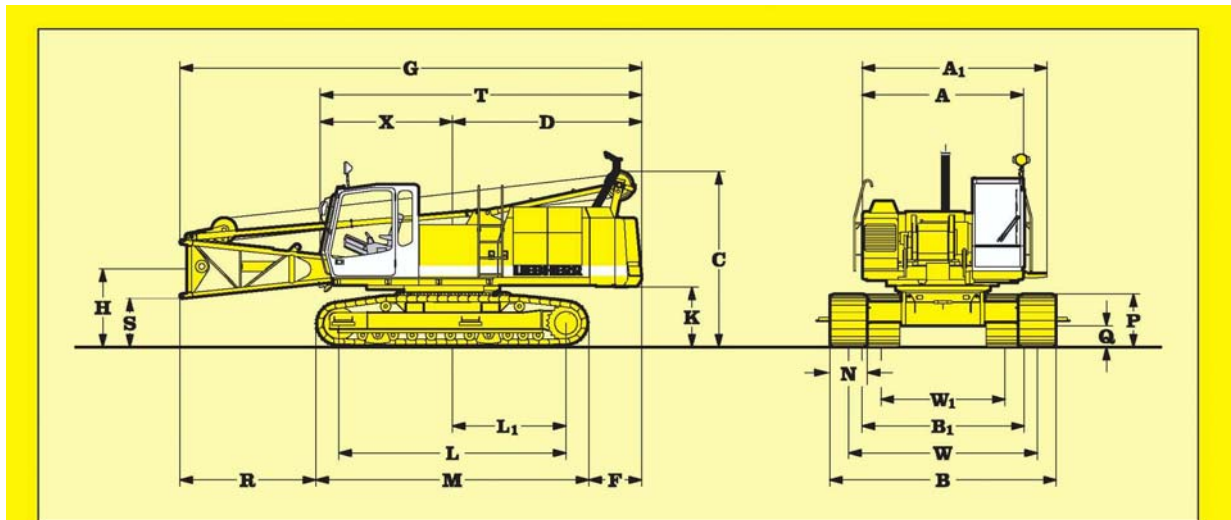
## Grua hidráulica de rastros

### Hydraulic Crawler Crane

Marca e Modelo / Make and Model

Liebherr HS 833 HD

#### Dimensões gerais



#### Dimensions

Dimensions	mm	mm
A Width of superstructure	3000	
A <sub>1</sub> Width of superstructure with walk way	3440	
C Height of basic machine	3280	
D Tail reach	3510	
Tail swing radius	3600	
F Distance between rear end of crawler and outside of counterweight	970	
G Overall length of superstructure with lowered A-frame	8570	
H Ground clearance of boom foot pivot	1450	
K Ground clearance of superstructure	1120	
L Wheel base (centre idler to centre tumbler)	4210	
L <sub>1</sub> Distance from centre of rotation to centre of tumbler	2100	
M Length of crawlers	5110	
P Height of crawlers	1015	
Q Ground clearance of crawler	400	
R Distance from edge of horizontal boom foot to crawler	2520	
S Ground clearance of horizontal boom foot	910	
T Length of superstructure	5970	
X Distance from centre of rotation to end of cab	2460	
N Width of track shoes	600	700 800
W Track width extended	3500	3500 3500
W <sub>1</sub> Track width retracted	2300	2300 2500
B Crawler width extended	4100	4200 4300
B <sub>1</sub> Crawler width retracted	2900	3000 3300

#### Operating Weight and Ground Pressure

The operating weight includes the basic unit with B60 crawler tracks, 2 main winches 12 t and 8 m boom, consisting of A-frame, boom foot (4 m), boom head (4 m) and 6.3 t counterweight. All systems are ready.

with 600 mm 3-web shoes	34.7 t - 0.69 kg/cm <sup>2</sup>
with 700 mm 3-web shoes	35.2 t - 0.60 kg/cm <sup>2</sup>
with 800 mm 3-web shoes	35.7 t - 0.54 kg/cm <sup>2</sup>

**Grua hidráulica de rastros**  
**Hydraulic Crawler Crane**  
Marca e Modelo / Make and Model  
**Liebherr HS 833 HD**

**Diagrama de cargas**

Capacities in metric tons for boom lengths from 11 m to 38 m :											Counterweight 6.3 t	
Boom length	8 m	11 m	14 m	17 m	20 m	23 m	26 m	29 m	32 m	35 m	38 m	
Radius in (m)	t	t	t	t	t	t	t	t	t	t	t	
3.0	35.0											
3.5	35.0	32.8										
4.0	31.5	31.4	28.4									
4.5	25.5	25.5	25.4	24.9								
5.0	21.4	21.3	21.3	21.2	21.2							
5.5	18.4	18.3	18.3	18.2	18.1	18.0						
6.0	16.1	16.0	16.0	15.9	15.8	15.7	15.7					
6.5	14.3	14.2	14.2	14.1	14.0	13.9	13.8	13.8				
7.0	12.8	12.8	12.7	12.6	12.5	12.5	12.4	12.3	12.2			
7.5	11.6	11.6	11.5	11.4	11.3	11.2	11.2	11.1	11.0	10.9		
8.0	10.6	10.6	10.5	10.4	10.3	10.2	10.1	10.0	10.0	9.9	9.6	
9.0		9.0	8.9	8.8	8.7	8.6	8.5	8.4	8.3	8.2	8.1	
10.0		7.8	7.7	7.6	7.5	7.4	7.3	7.2	7.1	7.2	6.9	
11.0		6.8	6.7	6.7	6.6	6.5	6.4	6.3	6.2	6.1	6.0	
12.0			6.0	5.9	5.8	5.7	5.6	5.5	5.4	5.3	5.2	
13.0			5.4	5.3	5.2	5.1	5.0	4.9	4.8	4.7	4.6	
14.0			4.8	4.8	4.7	4.6	4.4	4.3	4.2	4.1	4.0	
15.0				4.3	4.2	4.1	4.0	3.9	3.8	3.7	3.6	
16.0				3.9	3.8	3.7	3.6	3.5	3.4	3.3	3.2	
17.0				3.6	3.5	3.4	3.3	3.2	3.1	3.0	2.9	
18.0					3.2	3.1	3.0	2.9	2.8	2.7	2.5	
19.0					2.9	2.8	2.7	2.6	2.5	2.4	2.3	
20.0					2.7	2.6	2.5	2.4	2.3	2.1	2.0	
22.0						2.2	2.1	2.0	1.9	1.7	1.6	
24.0							1.8	1.6	1.5	1.4	1.2	
26.0							1.5	1.4	1.2	1.1	1.0	
28.0								1.1	1.0	0.8	0.7	
30.0									0.8	0.6	0.5	
32.0									0.6	0.5	0.3	
34.0										0.3	0.2	

The necessary hoist rope reeving arrangement has to be provided according to the load diagram in the cabin.

Optimal boom configuration for boom lengths between 8 m to 38 m:												
	Length	Amount of boom extensions										
Boom foot	4.0 m	1	1	1	1	1	1	1	1	1	1	1
Boom extension	3.0 m		1		1	1	1	1	1	1	1	1
Boom extension	6.0 m			1	1	2	2	3	3	4	4	5
Boom head	4.0 m	1		1	1	1	1	1	1	1	1	1
Boom length (m)		8	11	14	17	20	23	26	29	32	35	38